



Winches / Manual Winches

12.1.1 Theatre Winch



Content

Special Gear Winches

Theatre winch 300 kg	3
----------------------------	---

Special Gear Winches

Theatre winch 300 kg

Description of the winch:

The theatre winch is a high-quality and also safe winch that has been specially developed for the theatre and entertainment industry. This winch complies with the new standards for this sector, namely EN17206, and is therefore new in our range. In short, it's a great addition for Gebuwin, which literally and figuratively has the right to be "In The Picture"

Product specifications:

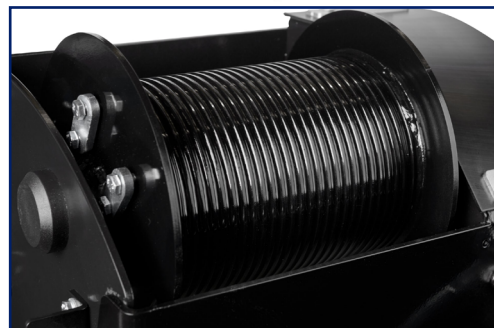
- compliant to the EN17206 norm for stage and entertainment industry
- static safety factor 8
- The worm gear transmission has a natural braking effect
- Closed gearbox to prevent accidents
- grooved drum for single-layer storage of wire rope
- two load pressure brakes with double ratchet system for safe stable hold of the load in any position
- equipped with a spring loaded pressure roller for smooth winding on the drum
- right angled, easy to grease worm transmission and maintenance free bearings
- cable outlet upwards and downwards
- double wire rope fastening for extra safety
- adjustable and secured crank with ergonomic grip
- suitable for wall mounting
- simple and quick attachment
- paint thickness is 60 - 80 micron in 1 layer and in compliance with DIN/ISO 12944, C1M - RAL9005 (black)

Options

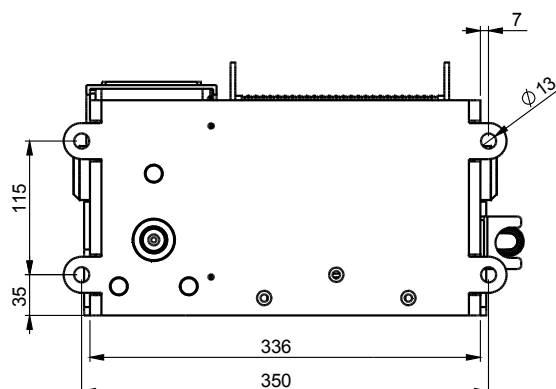
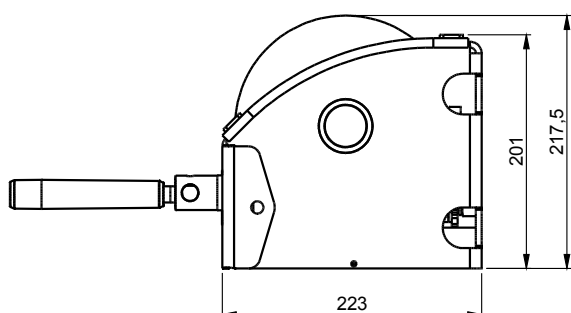
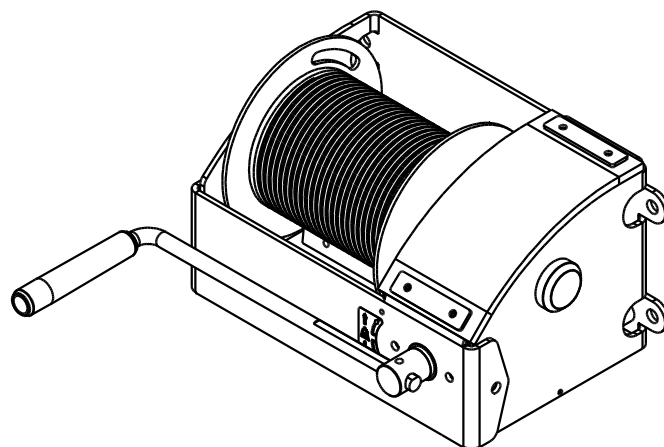
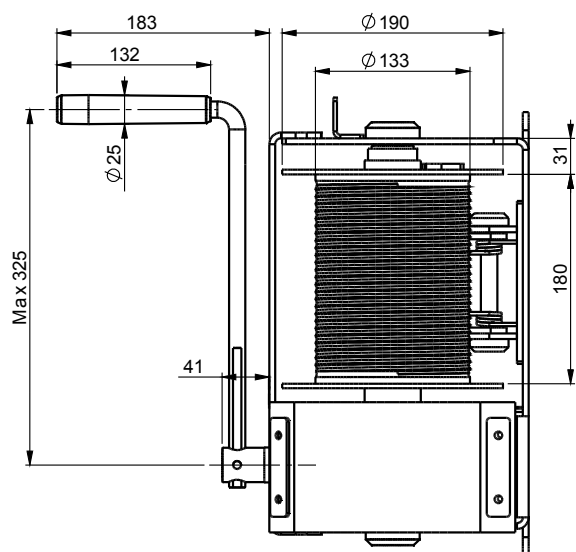
- 2 drum compartment (2D)
- increase of drum to store more rope

Accessories

- steel or stainless steel wire ropes
- pulley blocks



Technical specifications



Technical specifications	Unit	TW300	TW300L
Capacity 1st cable layer	kg	300	300
Rope diameter- \varnothing	mm	6	6
Rope storage 1st layer	m	10	20
Lift per crank rotation	mm	38	38
Crank effort at full load	daN	15	15
Weight (without rope)	kg	21	25
Article number	n°	77281340	77281341

VINCA products

- Bridges crane and gantry cranes
- Jib cranes
- Hoists and winches
- Scissor Tables and scissor lifts
- Elevators/Lifts for loads (PLT)
- Dock levelers
- Moving Dock levelers (RMC)
- Coats Furniture
- Wheel-lok (Vehicle Immobilizer)
- Safety equipment for docks
- Vacuum lifters VACU-LIFT
- Industrial Manipulators
- Pallet Inverters /Tippers
- Levelers NIVELMATIC
- Tilters inclinador
- Skips
- Industrial fans
- Industrial flexible doors, high speed doors
- Cold storage doors
- Fire doors
- Safety gates DOK-GUARDIAN
- Festoon for mobile equipment
- Lifting appliances
- Industrial Radio Controls
- After Sales Service for above equipment

⊕ ATEX classified equipment as option.



VINCA

EQUIPOS INDUSTRIALES

C/ Técnica, 39
 Pol. Ind. Torre Bovera
 08740 Sant Andreu de la Barca
 BARCELONA
www.vinca.es

BARCELONA

T. (+34) 93 635 61 20
 F. 93 635 61 30
info@vinca.es

MADRID

T. (+34) 616 91 69 82
madrid@vinca.es

VALENCIA

T. (+34) 647 817 537
valencia@vinca.es

GALICIA

T. (+34) 648 923 832
galicia@vinca.es

