

# VINCA

EQUIPOS INDUSTRIALES



## 20.0 Big Bag Lifting Beam

Hook accesories

## Index table

<b>Description</b>	<b>Code</b>	200VBBLIFT2000	200VBBLIFT2000ASR	200VBBLIFT2000REM	200VBBLIFT2000IN	200VBBLIFT2000ARIN
	<b>Model</b>	<b>SIMPLEX</b>	<b>ASR</b>	<b>REM</b>	<b>SIMPLEX INOX</b>	<b>ASR INOX</b>
	<b>Coating</b>	RAL 1028			INOX 304	
	<b>Net weight</b>	aprox 45 kg	aprox 55 kg	aprox 142 kg	aprox 48 kg	aprox 55 kg
	<b>Security</b>	Hooks with safety latches				
	<b>UNE norm</b>	According norm UNE-EN13155:2004				
	<b>Max. Load</b>	2000 kg				
	<b>Losed Height</b>	Lost 185 mm	Win 20 mm	Win 175 mm	Lost 115 mm	Win 20 mm



# Big Bag Lifting Beam SIMPLEX

This four-point hitch beam on a fixed structure with welded hooks with safety latch is designed for lifting and transporting Big-Bags.

**Coating: Yellow RAL 1028 C3L 80µm**

Max. load: 2000kg

Net weight: 45kg

Hooks with safety latches

**Losed height of 185 mm**

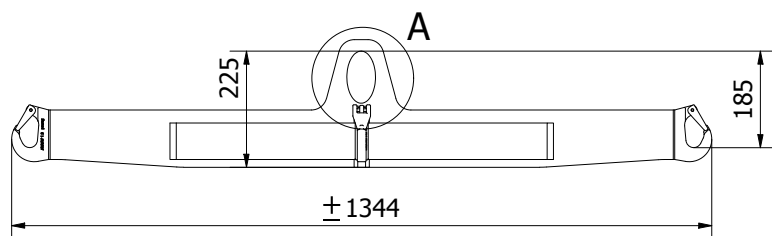
User and maintenance manual

CE Certificate

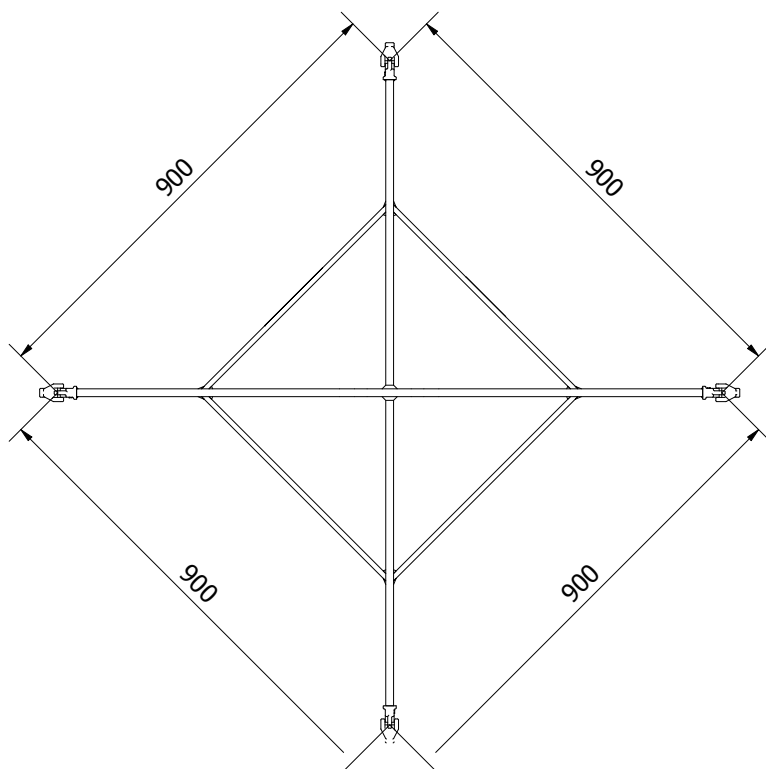
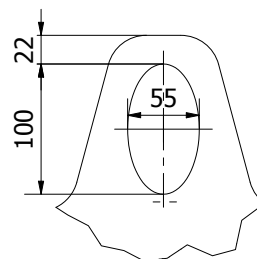
According norm UNE-EN 13155:2004

In case of use with chain hoist, verify accurately the possible interference with hoist chainbag.

**Ref: 200VBBLIFT2000**



A (1 : 4)



TTS 5,0/3500 E	*554657	5000	3500	38	64
TTS 5,0/3500 E	*554657	5000	3500	38	64

# Big Bag Lifting Beam SIMPLEX INOX

**Coating: Stainless steel AISI304**

Max. load: 2000kg

Net weight: 45kg

Hooks with safety latches

**Loaded height of 115 mm**

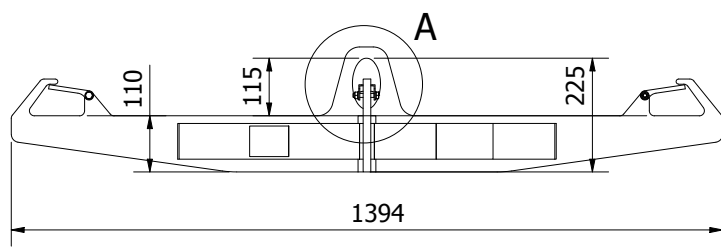
User and maintenance manual

CE Certificate.

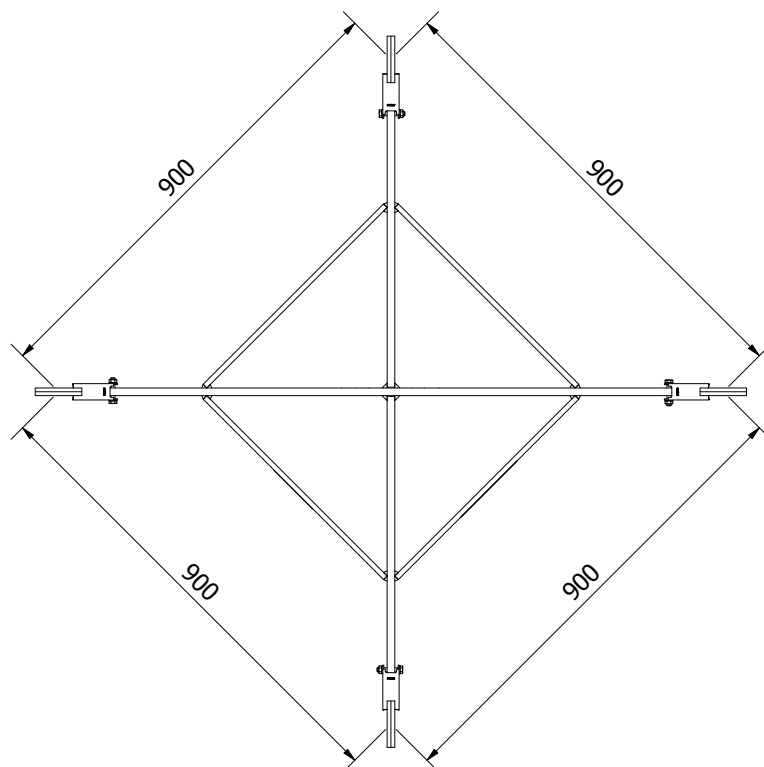
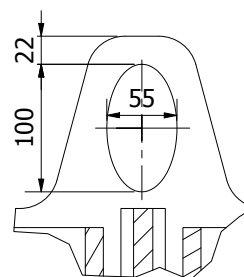
According norm UNE-EN 13155:2004

In case of use with chain hoist, verify accurately the possible interference with hoist chainbag.

**Ref: 200VBBLIFT2000IN**



A ( 1 : 4 )



# Big Bag Lifting Beam ASR

Coating: Yellow RAL 1028 C3L 80µm.

Max. load: 2000kg.

Net weight: 55kg.

Hooks with safety latches.

**Gained height of 20 mm.**

User and maintenance manual.

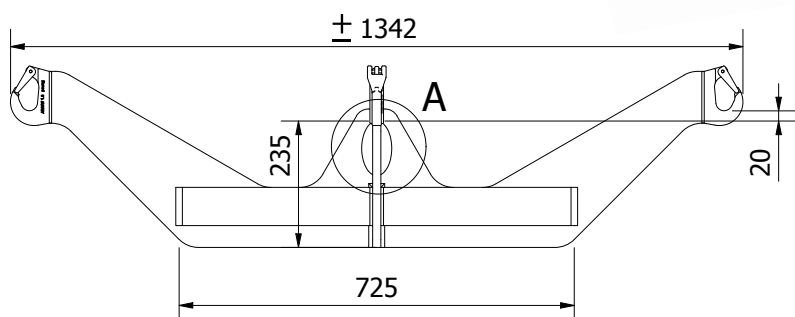
CE Certificate.

According norm UNE-EN 13155:2004

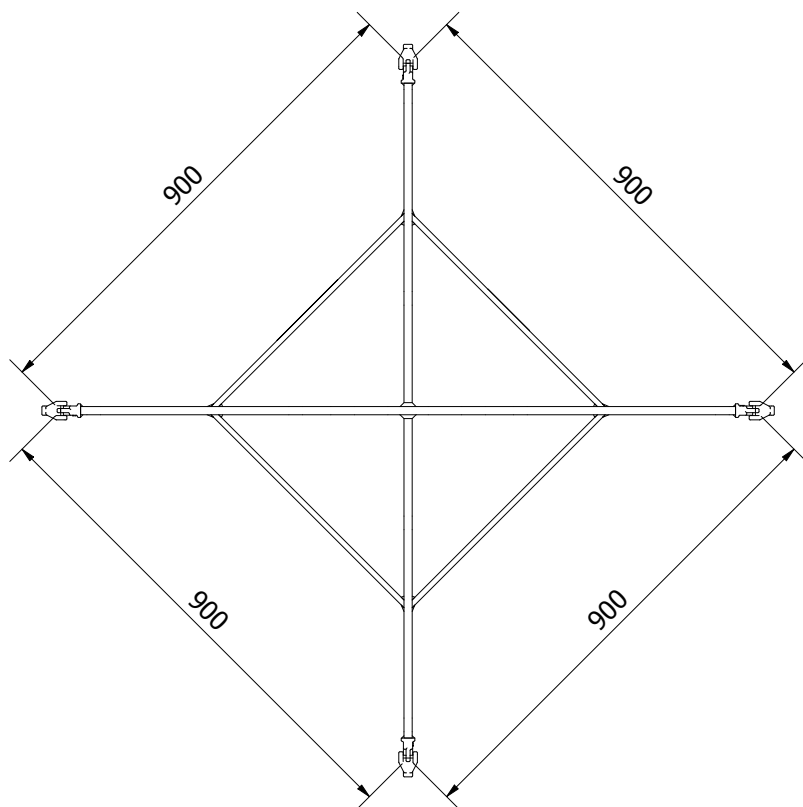
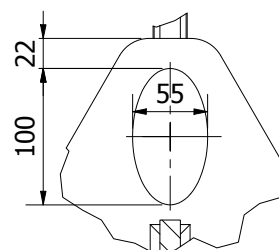
In case of use with chain hoist, verify accurately the possible interference with hoist chainbag.

Verify the length of Big Bag lifting loops to avoid interference with the frame.

Ref: **200VBBLIFT2000ASR**



A ( 1 : 4 )



# Big Bag Lifting Beam ASR INOX

**Coating: Stainless steel AISI304**

Max. load: 2000kg.

Net weight: 55kg.

Hooks with safety latches.

**Gained height of 20 mm.**

User and maintenance manual.

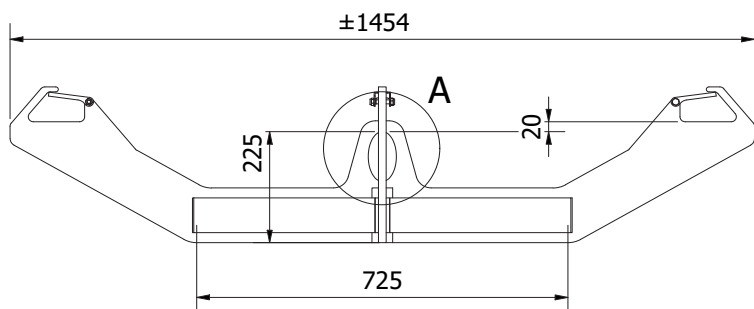
CE Certificate.

According norm UNE-EN 13155:2004

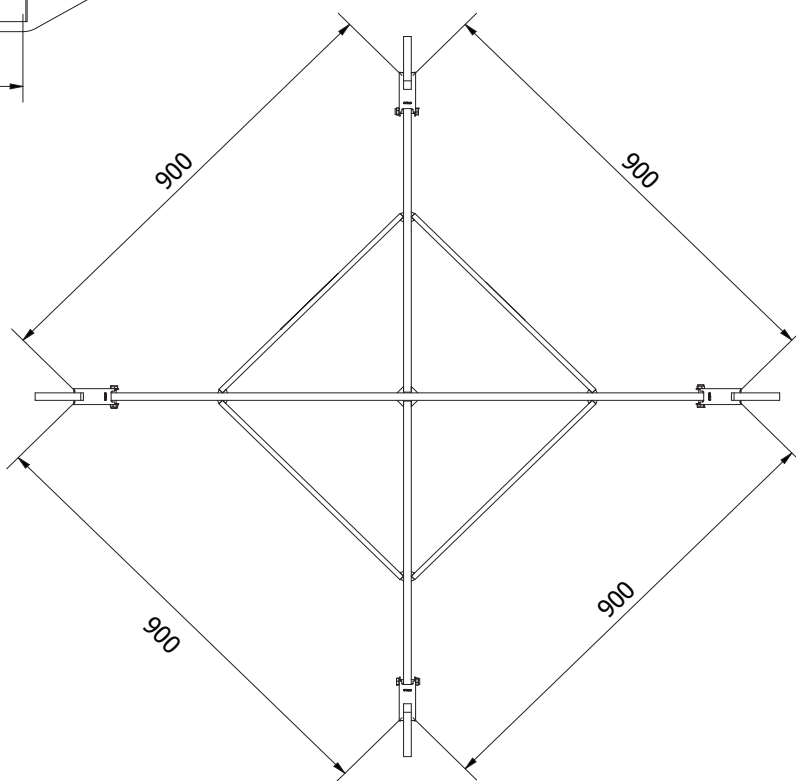
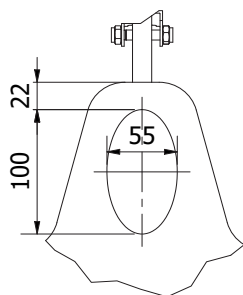
In case of use with chain hoist, verify accurately the possible interference with hoist chainbag.

Verify the length of Big Bag lifting loops to avoid interference with the frame.

**Ref: 200VBBLIFT2000ARIN**



**A (1 : 4)**



# Big Bag Lifting Beam REM

Coating: Yellow RAL 1028 C3L 80µm

Max. load: 2000kg

Net weight: 140kg

Hooks with safety latches

Gained height of 175 mm

User and maintenance manual

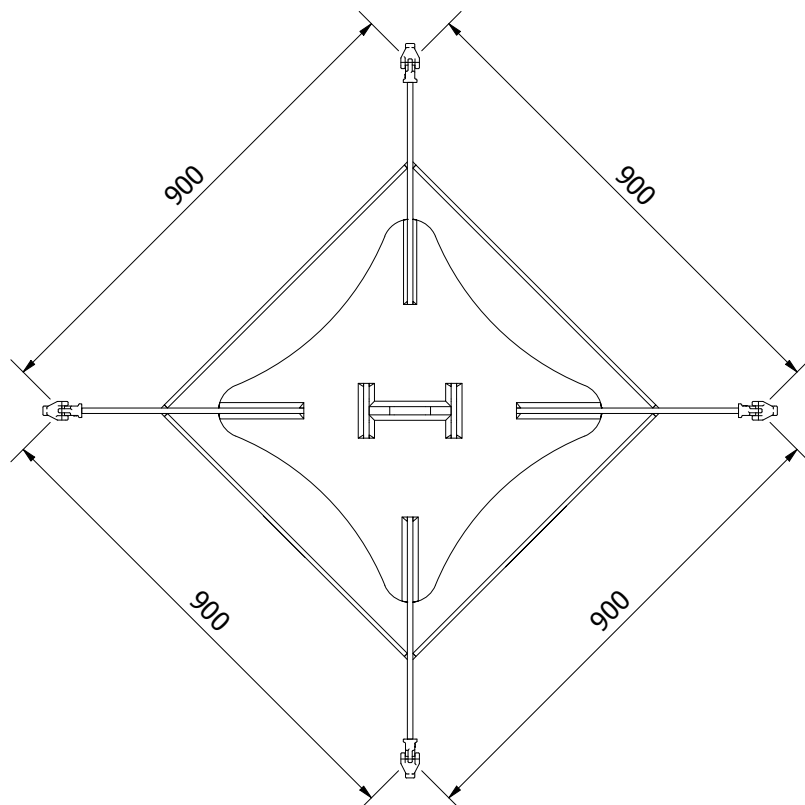
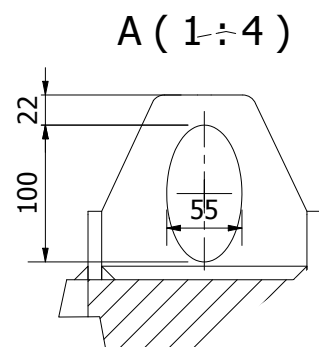
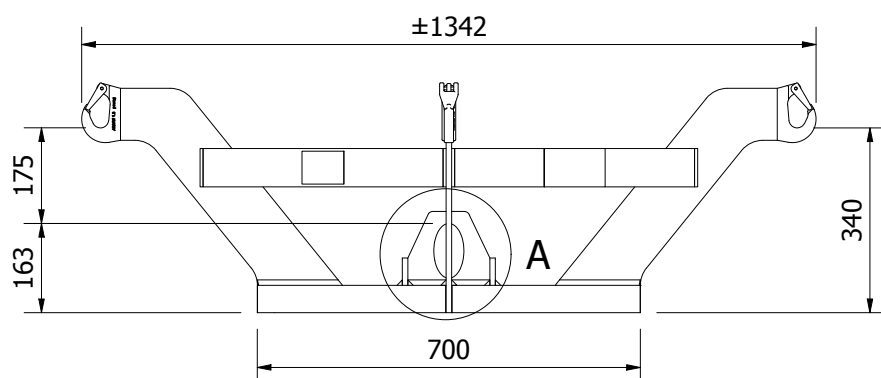
CE Certificate

According norm UNE-EN 13155:2004

In case of use with chain hoist, verify accurately the possible interference with hoist chainbag.








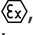

Verify the length of Big Bag lifting loops to avoid interference with the frame.

Ref: 200VBBLIFT2000REM

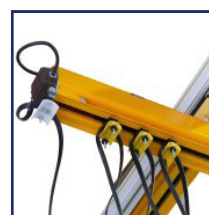


Modelo recomendado sólo para casos de espacios superreducidos

## VINCA Products

- Puentes grúa y grúa pórtico
- Plumas giratorias
- Polipastos y cabestrantes
- Mesas y plataformas elevadoras de tijeras
- Plataformas para cargas-montacargas (PLT) 
- Rampas y muelles ajustables- automáticas 
- Rampas móviles (RMC)
- Abrigos para muelles
- Inmovilizadores de vehiculos WHEEL-LOK
- Equipos de seguridad en muelles
- Elevadores móviles
- Sistemas de ventosa VACU- LIFT
- Manipuladores de vacío TROMPEX 
- Manipuladores ingravidos 
- Inversor de palets INVERTER 
- Niveladores NIVELMATIC 
- Inclinatorios INCLINATOR
- Volteadores 
- SKIPS para trasvases
- Tanquetas para mover grandes cargas
- Elevadores para trabajos en altura
- Ventiladores industriales HVLS
- Puertas flexibles  , puertas rápidas  , puertas frigoríficas
- Puertas seccionales
- Puertas cortafuegos
- Cancelas y cierres
- Barreras de seguridad DOK- GUARDIAN
- Material para la electrificación en equipos móviles
- Accesorios bajo gancho
- Mandos por radio
- Servicio Post- venta
- Carro TRANSFER

Opcional: acabado del equipo en ATEX



OFICINAS CENTRALES  
C/ Técnica, 39  
08740 Sant Andreu de la Barca

MADRID  
T. (+34) 616 916 982  
madrid@vinca.es

GALICIA  
T. (+34) 648 923 832  
galicia@vinca.es

ARAGÓN  
T. (+34) 629 515 652  
aragon@vinca.es

BARCELONA  
T. (+34) 93 635 61 20  
info@vinca.es

VALENCIA  
T. (+34) 647 817 537  
valencia@vinca.es

NORTE  
T. (+34) 651 182 243  
zonanorte@vinca.es

INTERNACIONAL  
T. (+34) 682 511 148  
export@vinca.es

**VINCA**  
EQUIPOS INDUSTRIALES

ANDALUCÍA  
T. (+34) 649 743 391  
andalucia@vinca.es

EXTREMADURA  
T. (+34) 649 743 391  
extremadura@vinca.es