



Jib Cranes / Swivel Davit

17.1

Swivel Davit SD



Content

Swivel Davit

Swivel Davit SD125-250-500	3
Stainless steel 316 Swivel Davit SD125-250-500/316.....	5


Swivel Davit

Swivel Davit SD125-250-500

Product specifications:

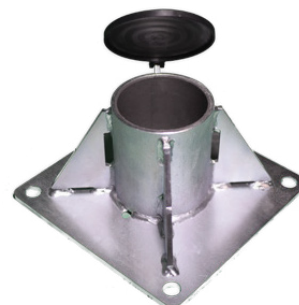
- robust and safe lifting davit
- ready to use in 5 seconds
- integrated winch and cable in an ergonomic modern design
- easy to transport
- 360 degrees rotation over a built in ball bearing
- maintenance free
- including 13 meter wire rope (d5 mm) with hook
- adjustable crank
- paint application in compliance with DIN/ISO 12994, C1M - RAL 7035 (grey)
- integrated winch in compliance with EN13157, DIN15020 and EX types ATEX 114 (94/9/EG)

Options:

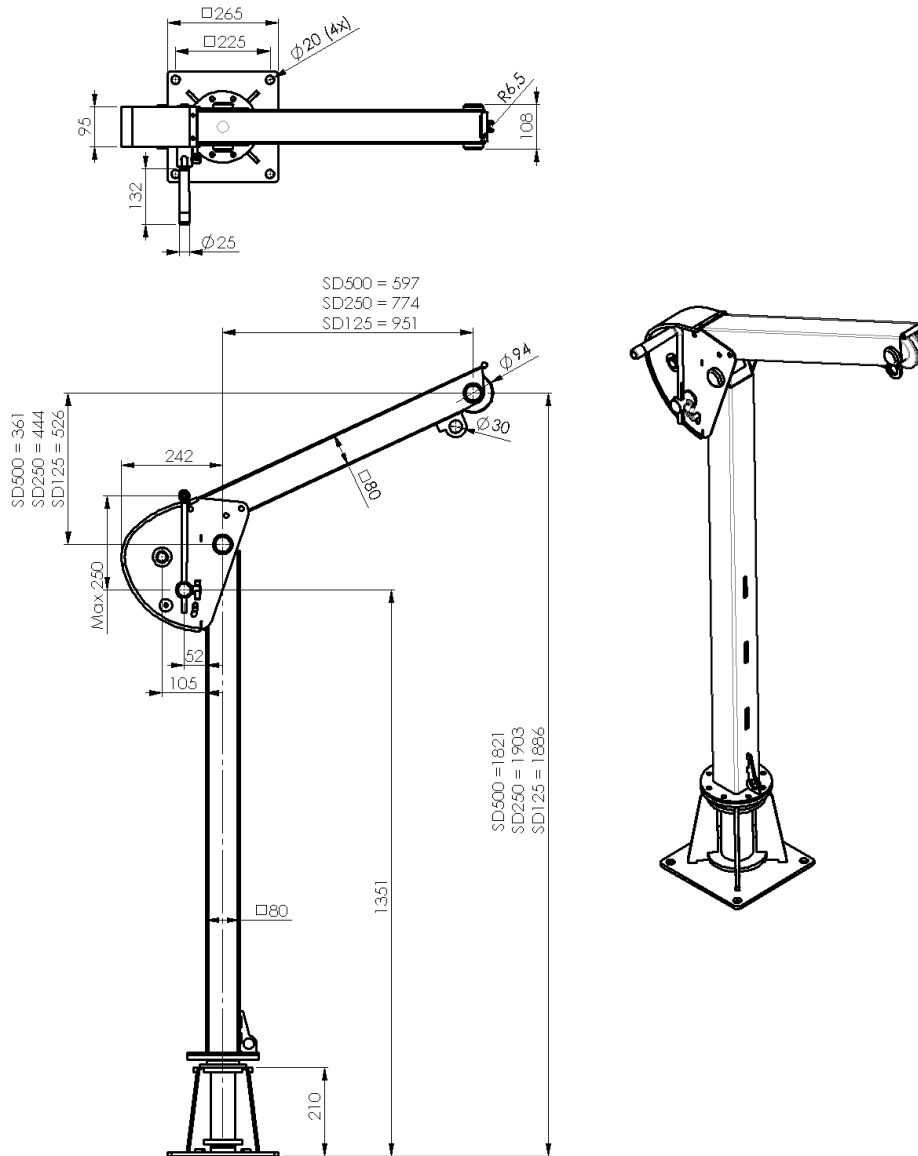
- zinc-plated finish (6 - 8 micron) (EV)
- stainless steel grade SAE 316 (SST316)
- ATEX certified  (EX)
 - CE II 3G IIC T4 Ga Tamb <70 °C suitable for zone 2 and 22
 - CE II 3G IIC T135°C Da Tamb <70 °C suitable for zone 2 and 22
- other dimensions on request

Accessories:

- floor, wall and in-cement floor sockets
- carry bag and protection cover



Technical specifications SD125-250-500



Technical specifications		SD125	SD250	SD500
1st cable layer	kg	125	250	500
Last cable layer (7)	kg	125	250	268
Crankforce 1st cable position	daN	10	10	10
Lifting length one rotation, 1st layer	mm	20	20	20
Max. cable storage last layer *	m	18	18	13
Diameter cable *	mm	4	4	5
Min. breaking load cable	kN	4	7,5	15
Own weight Swivel Davit	kg	30	30	30
Own weight floor-socket	kg	8,9	8,9	8,9
Own weight wall-socket	kg	9	9	9
Own weight in cement-socket	kg	3	3	3
Mounting bolts 4x M* class 8.8		18	18	18


* All models standard delivered with 5 mm wire rope, length 13 m.

Stainless steel 316 Swivel Davit SD125-250-500/316

Product specifications:

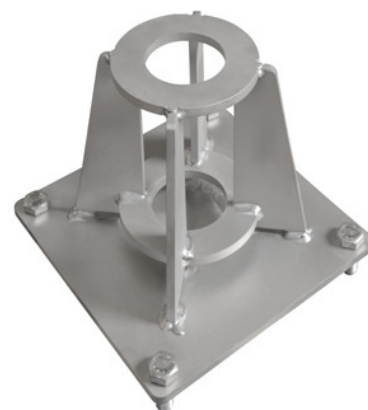
- robust and safe lifting davit
- ready to use in 5 seconds
- integrated winch and cable in an ergonomic modern design
- easy to transport, only 25 kg
- 360 degrees rotation over a built in ball bearing
- maintenance free
- including 13 meter wire rope (d5 mm) with hook adjustable crank
- Full stainless steel grade 316 body
- integrated winch in compliance with EN13157, DIN15020 and EX types ATEX 114 (94/9/EG)

Options:

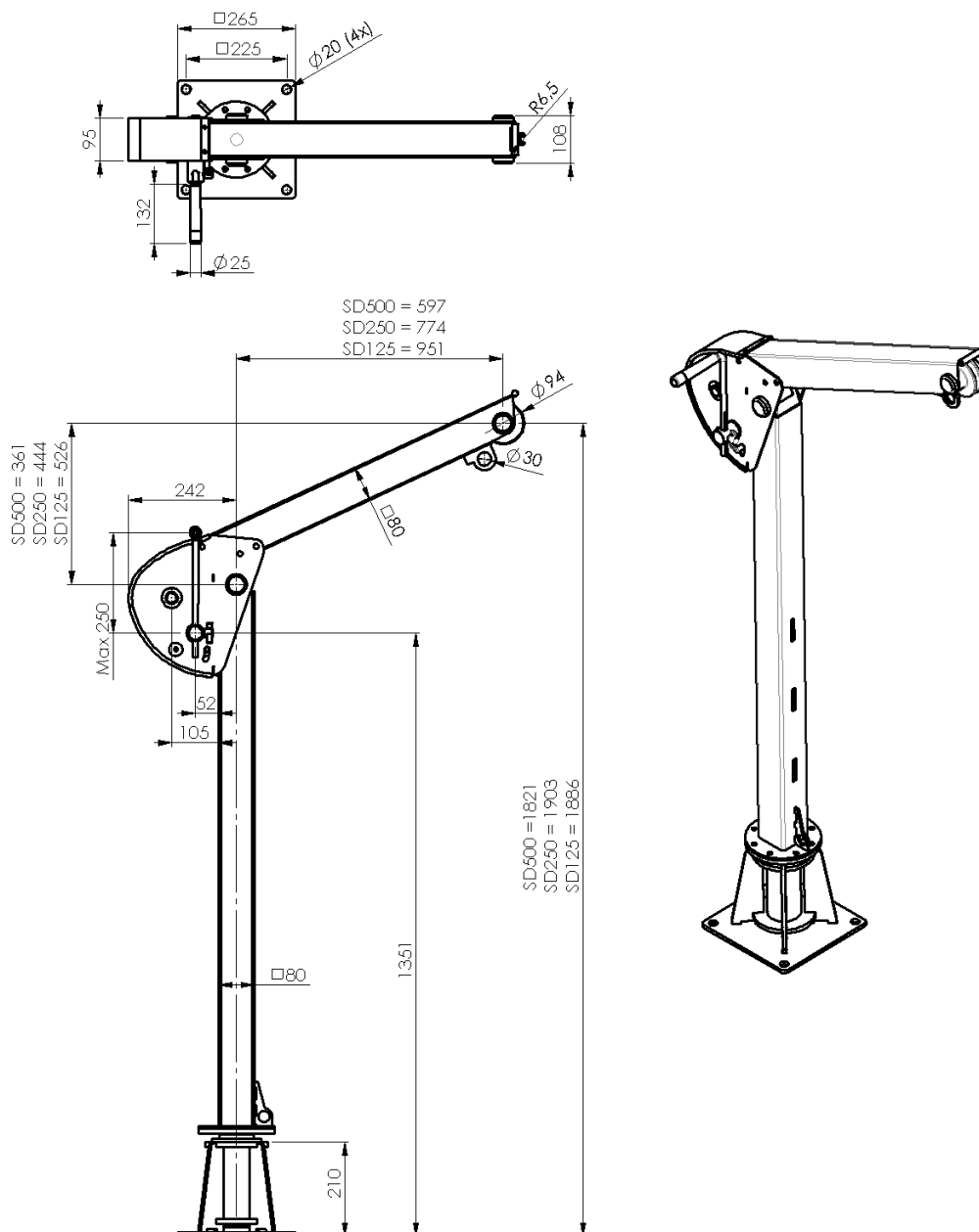
- ATEX certified  (EX)
 - CE II 3G IIC T4 Ga Tamb <70 °C suitable for zone 2 and 22
 - CE II 3G IIC T135°C Da Tamb <70 °C suitable for zone 2 and 22
- other dimensions on request

Accessories:

- floor, wall and in-cement floor sockets
- carry bag and protection cover



Technical specifications SD125-250-500



Technical specifications		SD125	SD250	SD500
1st cable layer	kg	125	250	500
Last cable layer (7)	kg	125	250	268
Crankforce 1st cable position	daN	10	10	10
Lifting length one rotation, 1st layer	mm	20	20	20
Max. cable storage last layer *	m	18	18	13
Diameter cable *	mm	4	4	5
Min. breaking load cable	kN	4	7,5	15
Own weight Swivel Davit	kg	25	25	25
Own weight floor-socket	kg	7	7	7
Own weight wall-socket	kg	9	9	9
Own weight in cement-socket	kg	3	3	3
Mounting bolts 4x M* class 8.8		18	18	18

* All models standard delivered with 5 mm wire rope, length 13m. subject to changes.

VINCA products

- Bridges crane and gantry cranes
- Jib cranes
- Hoists and winches
- Scissor Tables and scissor lifts
- Elevators/Lifts for loads (PLT)
- Dock levelers
- Moving Dock levelers (RMC)
- Coats Furniture
- Wheel-lok (Vehicle Immobilizer)
- Safety equipment for docks
- Vacuum lifters VACU-LIFT
- Industrial Manipulators
- Pallet Inverters /Tippers
- Levelers NIVELMATIC
- Tilters inclinador
- Skips
- Industrial fans
- Industrial flexible doors, high speed doors
- Cold storage doors
- Fire doors
- Safety gates DOK-GUARDIAN
- Festoon for mobile equipment
- Lifting appliances
- Industrial Radio Controls
- After Sales Service for above equipment

⚡ ATEX classified equipment as option.



VINCA

EQUIPOS INDUSTRIALES

C/ Técnica, 39
 Pol. Ind. Torre Bovera
 08740 Sant Andreu de la Barca
 BARCELONA
www.vinca.es

BARCELONA

T. (+34) 93 635 61 20
 F. 93 635 61 30
info@vinca.es

MADRID

T. (+34) 616 91 69 82
madrid@vinca.es

VALENCIA

T. (+34) 647 817 537
valencia@vinca.es

GALICIA

T. (+34) 648 923 832
galicia@vinca.es

