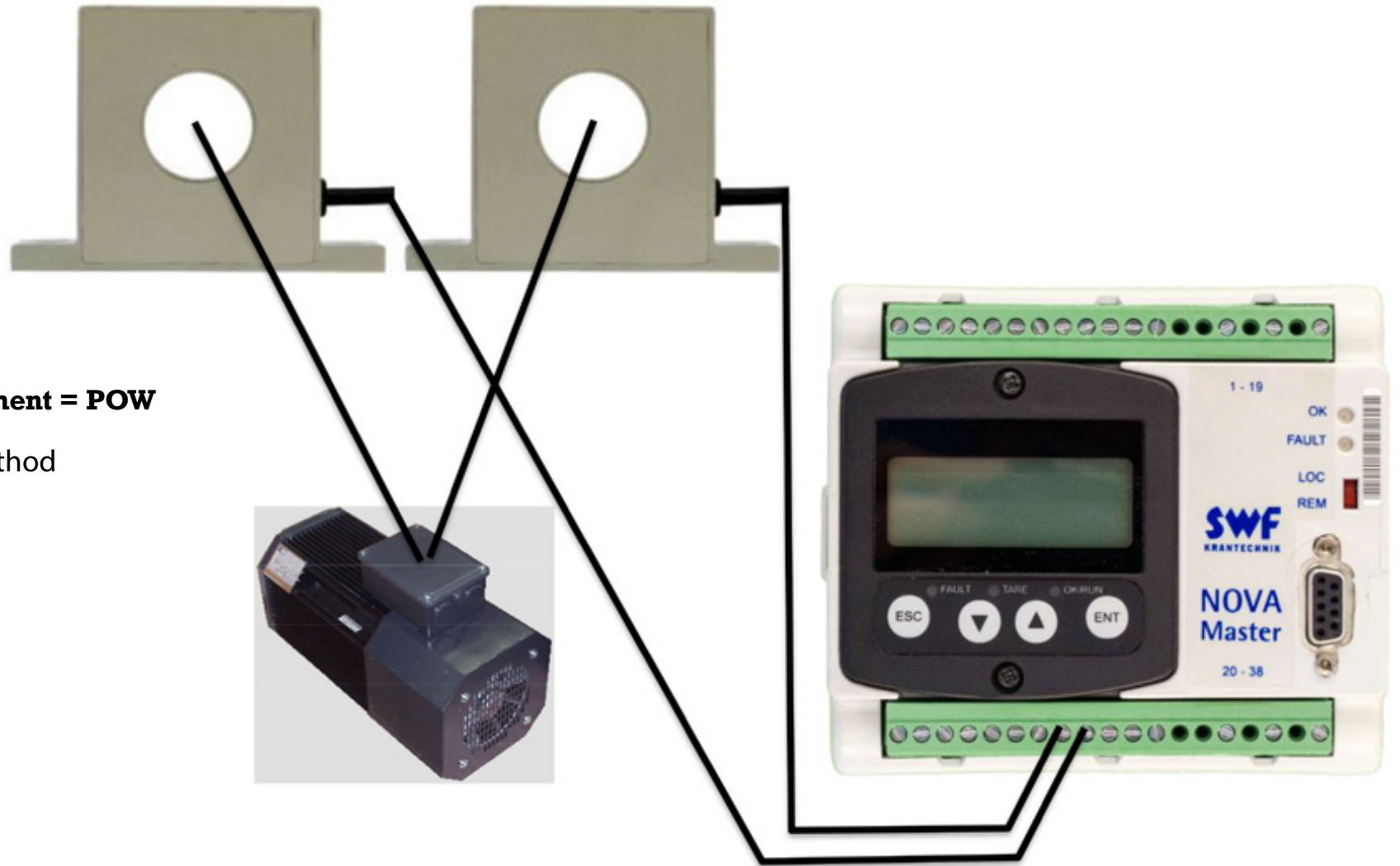




NOVA Wire rope Hoists

NOVA master

NovaMaster function



Overload Protection

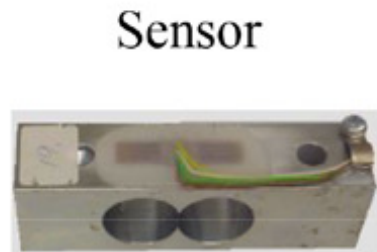
Motor Torque Measurement = POW

- Patented calculation method
- No wear no friction

Overload Protection

Load Sensor Measurement = SG

- Constant load measuring
- For inverter application



KAE 400



Brake Wear Supervision

- Sophisticated calculation method for brake lifetime supervision
- Patented brake opening control



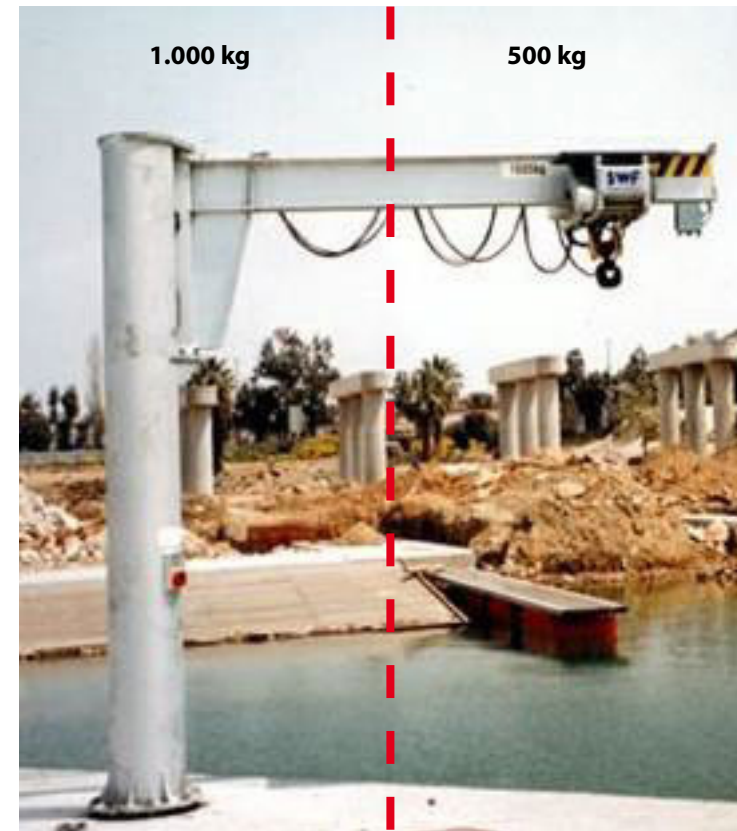
Controlled Starts and Stops

- Soft Start through slow speed
- Soft Stop through slow speed
- Supervision of speed change
- Direction change with "smooth" switching



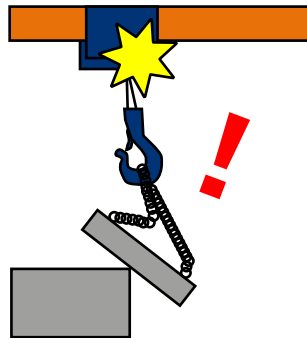
Various Load Limits

- Protection of runway and specific areas in the building



Slack Rope Detection

- Prevents damaging.
- Especially useful when using slings and load attachments.



Recognition of Sudden Load Increase

- Protection of the equipment and the structure if the load gets stacked.
- Protection against side pulling.



Hoistmotor Overheating Protection

- Thermistor Information to NovaMaster
- Load Lowering always possible



Monitoring of the SWP

- Run Time
- Overloads
- Starts



Hoist Supervision (up to 5 hoist)

- Lastsummierung

Analog output 0 10 VDC

- z.B Big load display 2 8 VDC

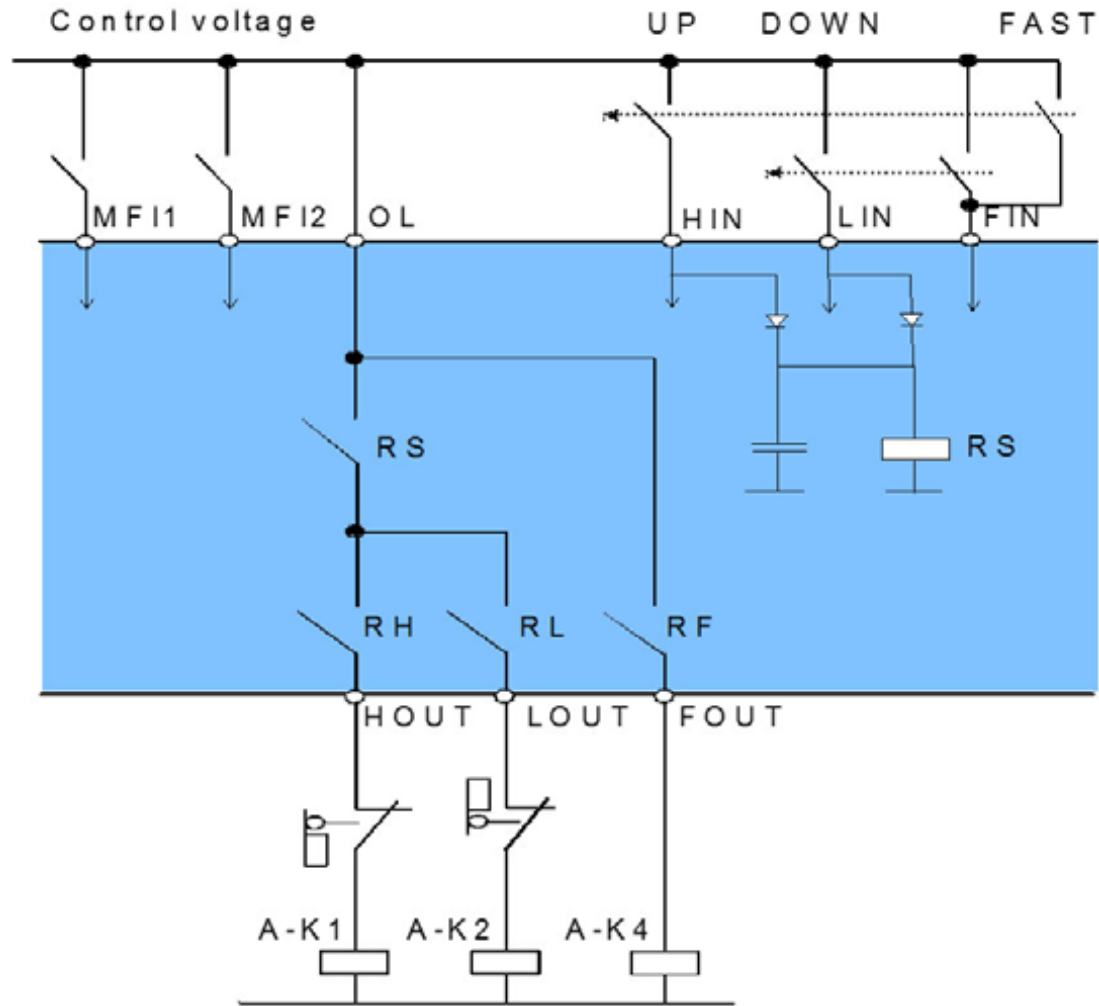


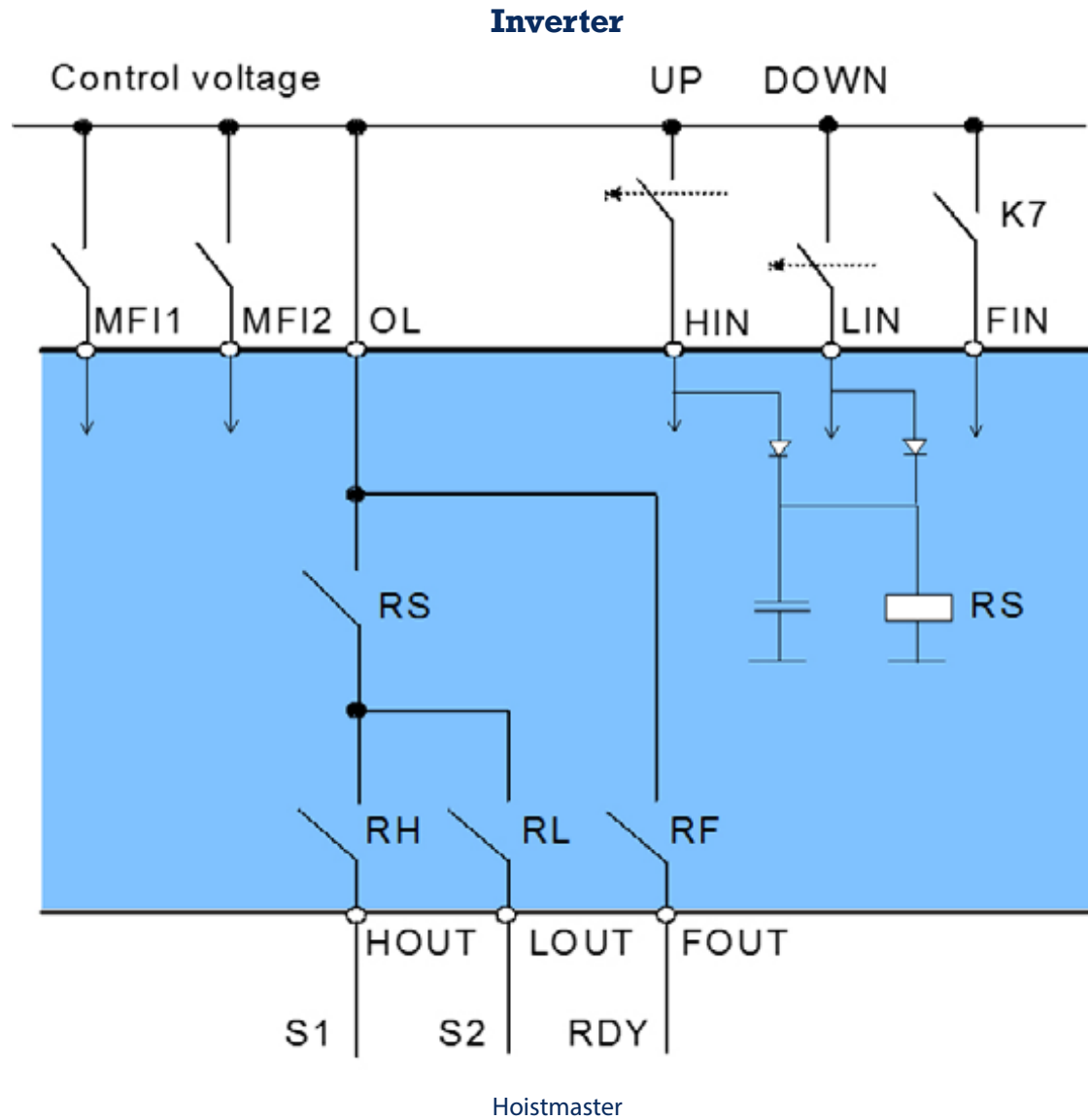
4 digits



6 digits

2 Speed Motor





VINCA products

- Bridges crane and gantry cranes
- Jib cranes
- Hoists and winches
- Scissor Tables and scissor lifts
- Elevators/Lifts for loads (PLT)
- Dock levelers
- Moving Dock levelers (RMC)
- Coats Furniture
- Wheel-lok (Vehicle Immobilizer)
- Safety equipment for docks
- Vacuum lifters VACU-LIFT
- Industrial Manipulators
- Pallet Inverters /Tippers
- Levelers NIVELMATIC
- Tilters inclinador
- Skips
- Industrial fans
- Industrial flexible doors, high speed doors
- Cold storage doors
- Fire doors
- Safety gates DOK-GUARDIAN

- Festoon for mobile equipment
- Lifting appliances
- Industrial Radio Controls
- After Sales Service for above equipment

 ATEX classified equipment as option.



BARCELONA

Tel 93 635 61 20

Fax 93 635 61 30

info@vinca.es

MADRID

Tel: (+34) 616 91 69 82

madrid@vinca.es

VALENCIA

Tel: (+34) 647 817 537

valencia@vinca.es

GALICIA

Tel: (+34) 648 923 832

galicia@vinca.es

C/ Técnica, 39

Pol. Ind. Torre Bovera

08740 St. Andreu de la Barca

BARCELONA

www.vinca.es

